

AsepticDrive™

Hygienically encapsulated brake and/or encoder

Main features:

- Perfectly smooth exterior case, which prevents accumulation of dirt and makes it easy to clean
- Prevents re-infections in the surrounding area and results in a significant measurable reduction of air-borne contamination, because without the motor fan, turbulence is no longer a problem
- Fully encapsulated attached brake and/or encoder in the production areas
- Motor, brake and/or encoder connections with round plug available as option
- Coating resistant to cleaning agents and disinfectants with special paint coating
- Standard high degree of protection with IP 67 (optional with IP 69K)
- Optional: solid or hollow shaft in stainless steel V4A (1.4571)

Available on request:

- Paint finish according to RAL tables
- Pre-fabricated 6 wire cable, 3 m long

Motor output

Available power ranges in continuous operation (S1):

| Motor type | Power | Feature |
|------------|---------|---------------|
| DA05LA4 | 0,06 kW | |
| DA05LA4 | 0,09 kW | |
| DA05LA4 | 0,12 kW | |
| DA08LA4 | 0,25 kW | |
| DA08LA4 | 0,37 kW | according IE3 |
| DA09LA4 | 0,55 kW | according IE3 |
| DA09XA4 | 0,75 kW | IE3 |
| DA09XA4 | 1,1 kW | IE2 |
| DA11LA4 | 1,5 kW | IE3 |
| DA11LA4 | 2,2 kW | IE2 |

An AsepticDrive™ is an asynchronous motor whose basic design dispenses with a fan and cooling ribs. The result is a motor with a completely smooth outer casing which is sealed by a matching non-drive end shield.

The AsepticDrive™ has as standard a stainless steel round connector which allows a quick and simple electrical connection of the motor. This connector contains not only the motor contacts but also those of the thermistors. The hygienic concept is also guaranteed due to the smooth surface of the connector.

The AsepticDrive™ can be easily fitted onto any gear in the BG, BF, BK or BS series, thereby catering for the majority of design requirements..

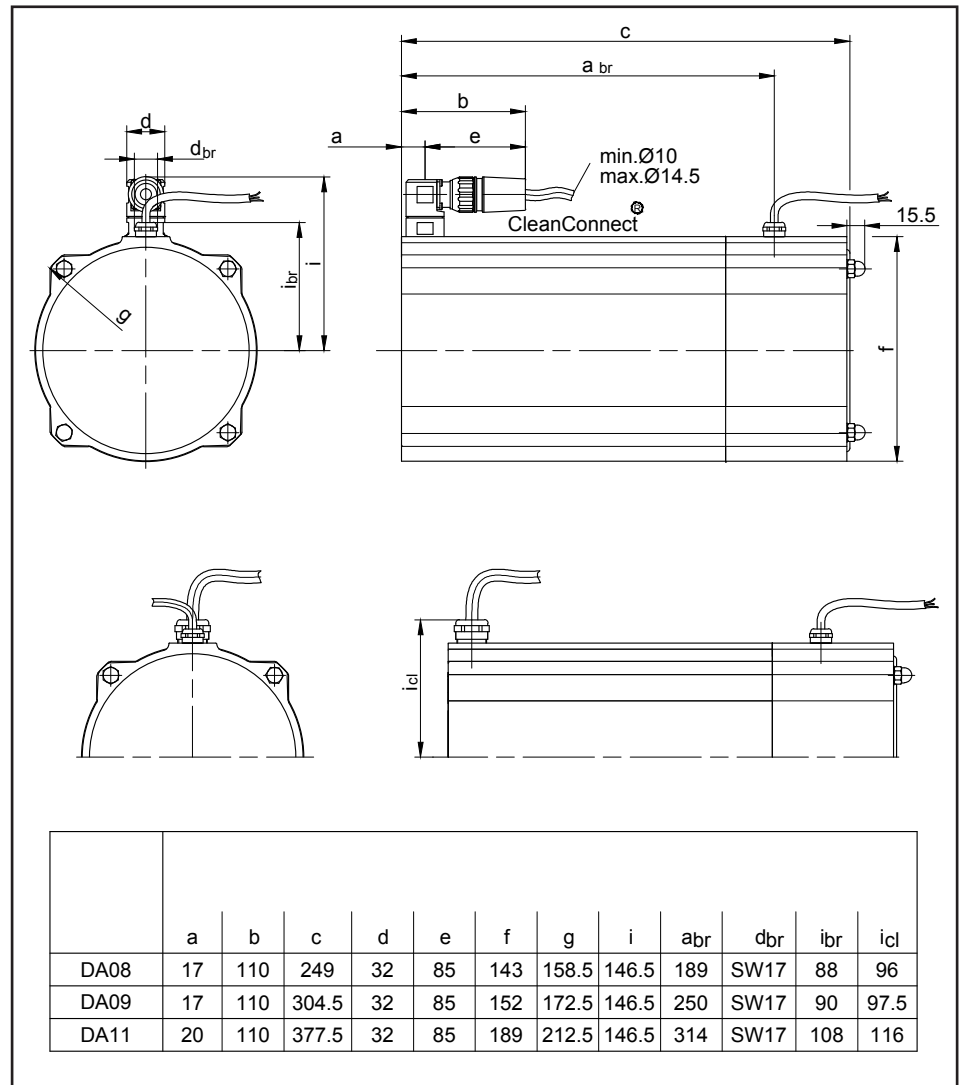
Application criteria

Special requirements regarding hygiene and cleaning are necessary in the production areas of the food and beverage industry. This is due to the sensitivity of the products and their perishable nature.

For this reason, most equipment and production machines are made of stainless steel, permitting thorough cleaning once production has ended. Stainless steel also allows the use of acid or alkali-based cleaning agents which, in combination with disinfectants, ensure that all relevant germs and bacteria are destroyed.

In the case of gear motors, which are generally mounted directly onto the machines, it has not been possible to fulfil these requirements in the past. The reasons for this are the design of the housing structures, the ribs of the motors and the fans used for cooling.

The AsepticDrive™ provides a smooth surface which can be cleaned simply and effectively without allowing any pockets of dirt to accumulate. It is also difficult for deposits to stick. The absence of a fan means above all that an inaccessible source of dirt, which like



the dirt in the cooling ribs led to re-infections of the production machinery, has now been removed.

A secondary effect is that ambient and room-air infections are prevented, because any germs which form under the cowl over

the weekend, for example, are not swirled around when the machinery is restarted.

To summarise, the AsepticDrive™ in combination with our new series of gears constitutes a highly effective solution for the food and beverages industry.

Bauer assumes no liability or responsibility for misprints and errors in catalogues, brochures and other printed documentation. Bauer reserves the right to make changes to products without prior notice, including to products that have already been ordered, unless contractual technical specifications are affected by such changes. All trademarks in these publications are the sole and exclusive property of the relevant companies. Bauer and the Bauer logo are trademarks of Bauer Gear Motor GmbH. All rights reserved.